



BLIND HOOK SECURITY

DELTA 55

WWW.SUNONBLINDS.COM

SUNON. SPACE, LIGHT AND SHADE.

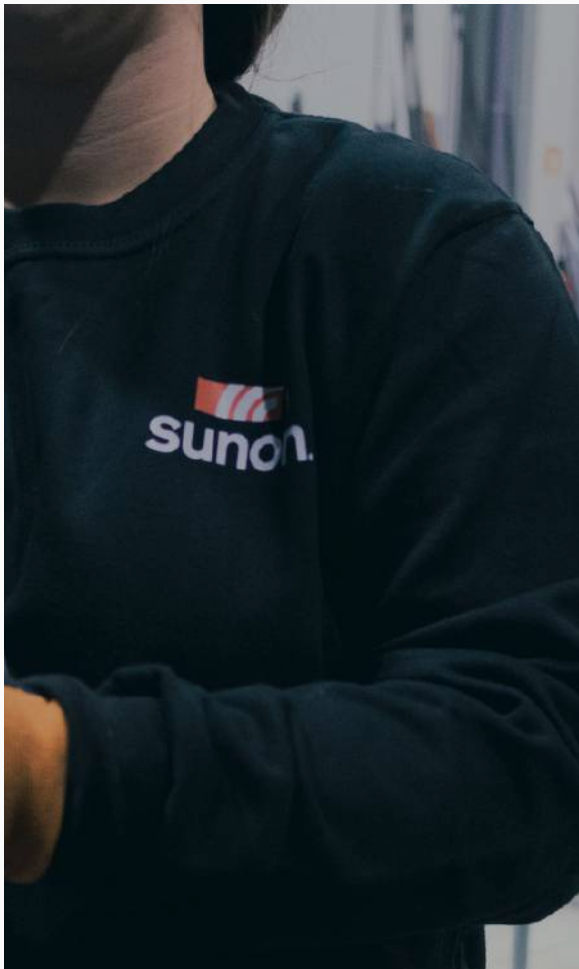


ENGLISH

WHY SUNON BLINDS?

More than 25 years ago, Sunon was born, a company formed by experienced personnel focused on the sector, since January 1993, we stand out for the wide range of solutions that we can provide. Sunon has professional collaborators from various sectors, such as: architects, engineers, window manufacturers, curtain wall manufacturers, and builders who provide the right systems for the execution of the project; for this reason, the company is recognized as one of the best in the industry

for the quality of their work. We ensure that in each project we eliminate any type of openings and gaps, in addition to providing a high design facade, comfortable, energy-saving, and environmentally friendly. We specialize in technical and adjustable shutter systems, with dynamic elements for residential sun protection, facades, security, and tunnel boxes, as well as motorization systems. Likewise, we also take care of product manufacturing, distribution and installation.



BLIND HOOK SECURITY DELTA55

Sunon is present in all phases of the project. From advice to architects, to customized solutions for any type of renovation.

As a customer, through a virtual test, you can visualize the variety of options according to your project.

We will provide you with a technical and economic study where the total service will be provided, which includes: products, assembly, consulting and after-sales maintenance.

BLIND SECURITY WITH WK3 CERTIFICATE, MADE FOR 5000MM WIDE LIGHT.

INTRODUCTION:

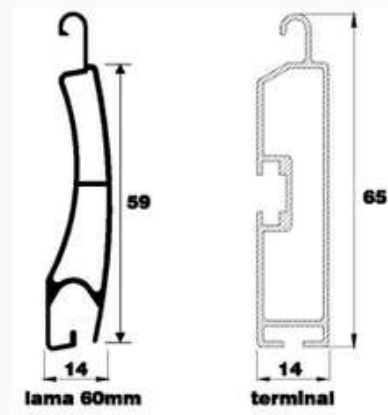
The Custodia Delta 55 model is a tubular profile with a fairly flat surface that is usually located on the exterior facade and another curved surface in the inner zone of the inter-sheet joint, facilitating its adaptation to the motor axis, achieving quietly rolling with a minimum diameter and minimum friction.

Unlike other tubular models, the Delta 55 model contains an intermediate horizontal junction between the two surfaces, increasing mechanical resistance against binding, and also in case of impacts by stealth or hurricane storms, this junction adds the strength of the two ocar surfaces of the profile, keeping their geometry and stability unchanged.



The design and qualities of this profile allow very interesting measurements up to *5000mm wide and 3000mm high with a maximum cubicing of 14 m2 surface.

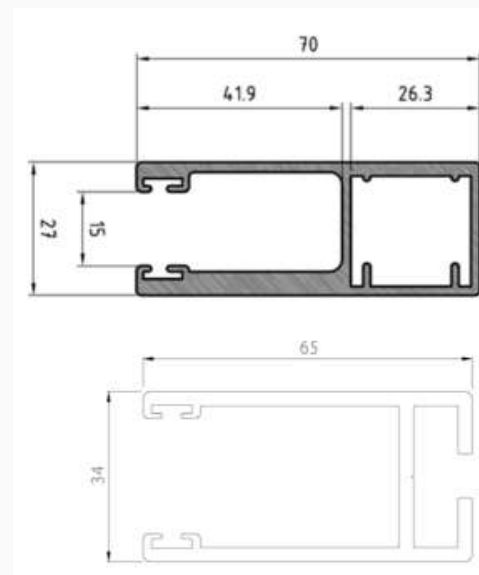
The Delta 55 persian can be manufactured with the inner hook that binds the sheets with a minting, to allow the entry of light, ventilation and vision to the outside, can also be manufactured with the same micro-perforated interior hook to prevent the entry of insects and allow the entry of light and air or can be fully blinded without grooves or combine the three possibilities.



DELTA CUSTODY:

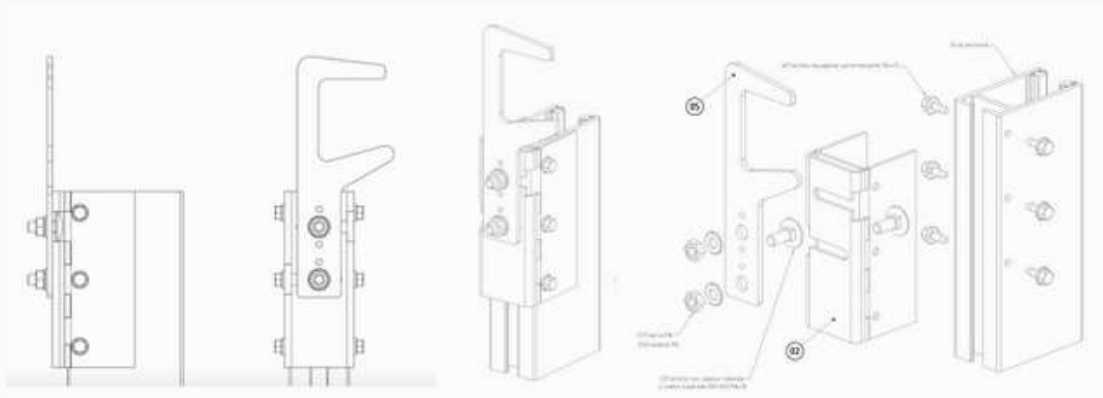
This model can adapt the following guide types:
In widths above 3000mm the use of the ref 4429 and ref guides will be mandatory... with upper mouth capacity and 3mm thick walls.

In facilities where priority is security, Sunon always advises that guides be embedded within the branch, thus making it extremely difficult for thieves to open or remove the persian from its location.



BLIND SECURITY WITH WK3 CERTIFICATE, MADE FOR 5000MM WIDE LIGHT.

Different security elements such as BSS lock or other Sunon exclusive devices, plus concrete location placement and guide model, allow to achieve the WK3 certificate



TIPS AND WARNINGS

Thieves have easily learned to open shutters called self-lockers with a simple sheet of plastic paper, placing it so that small profiles do not fit into the guides.

The combination of different preparations in new work. For example, embedded guides, persian connection to radar alarms and other details achieve a more efficient overall set for the safety of their homes and family.

In person-pass windows and depending on the weight of the persian force it to install a parachute system or other security systems,

The average durability of these models is over 30 years, so their non-safe investment is profitable for minimal maintenance and major reductions in stealing insurance or surveillance costs.

